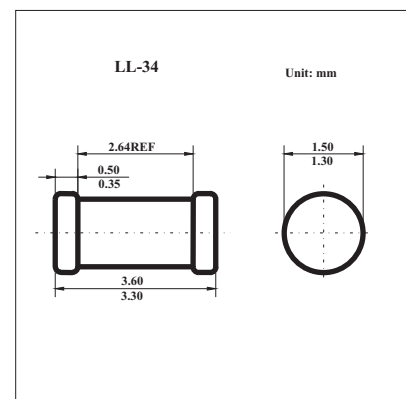


## Schottky Barrier Rectifier Diodes

## KLL5817W-KLL5819W

## ■ Features

- Low Power Loss, High Efficiency
- High Current Capability and Low Forward Voltage Drop
- High Surge Capability



## ■ Maximum Ratings and Electrical Characteristics @ Ta = 25°C

Parameter	Symbol	Rating			Unit
		KLL5817W	KLL5818W	KLL5819W	
Peak Repetitive Reverse Voltage	V <sub>RRM</sub>	20	30	40	V
Working Peak Reverse Voltage	V <sub>RMS</sub>				
DC Blocking Voltage	V <sub>DC</sub>				
RMS Reverse Voltage	V <sub>R(RMS)</sub>	14	21	28	V
Average Rectified Output Current @T <sub>A</sub> = 90°C	I <sub>O</sub>	1.0			A
Non-Repetitive Peak Forward Surge Current, 8.3ms Single Half Sine-wave Superimposed on Rated Load (JEDEC method)	I <sub>FSM</sub>	25			A
Peak Reverse Leakage Current	I <sub>RM</sub>	1.0			mA
Forward Voltage @ I <sub>F</sub> = 1.0A	V <sub>FM</sub>	0.45	0.55	0.60	V
Typical Total Capacitance	C <sub>T</sub>	110	110	90	pF
Typical Thermal Resistance Junction to Ambient	R <sub>θJA</sub>	50			°C/W
Operating and Storage Temperature Range	T <sub>J</sub> , T <sub>STG</sub>	-65 to +125			°C